

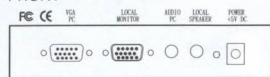
Audio Video Extender
SVGA TO RGB &
RGB TO SVGA Extender



FRONT SIDE & REAR SIDE:

MODEL: DLT53S

FRONT

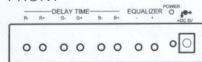


REAR



MODEL: DLR13S

FRONT



REAR



DISTANCE DESIGN ON DLR13S

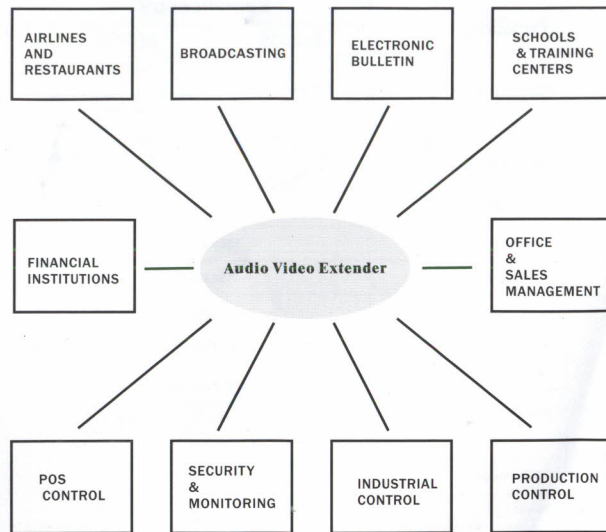
ON DLR13S:

There are four sets of button in front of DLT13S' panel board.

DELAY TIME						EQUALIZER	
R-	R+	G-	G+	B-	B+	-	+
•	•	•	•	•	•	•	•

- A. "DELAY TIME" includes three different buttons for adjusting display colors to achieve the best effects for displaying.
- B. "EQUALIZER" includes two different buttons for adjusting a suitable extended distance between 5~300m.

Applicable Industries:



Extends the distance between a PC and a remote monitor (up to 300M) via network cable

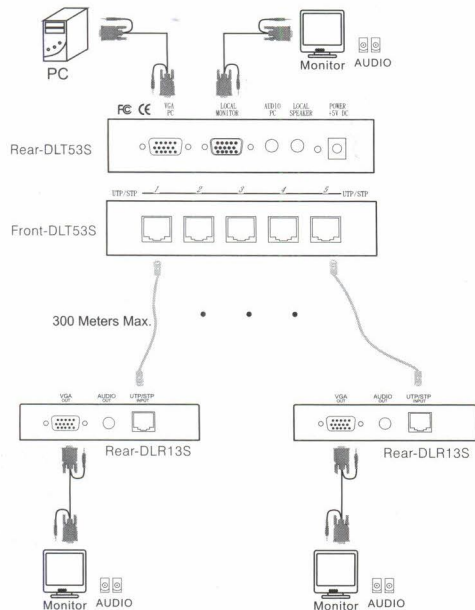
Introduction:

The Audio Video Extender uses a local transmitter, and a remote Receiver to extend the transmission distance up to 300m via Cat 5/5e/6/7 UTP/STP cable

Features:

- * Compact desktop size transmitter and receiver.
- * Works with Cat5, Cat5e, Cat6, Cat7, cat cable.
- * Transmission distance of up to 300m MAX.
- * Support Stereo Audio.
- * Plug-N-Play with easy setup for video signal adjustments.
- * Compatible with DOS, MS Windows, Linux, Unix and Netware.
- * No software installation required.
- * Supports high VGA resolution up to 1280 x 1024.
- * Power LED and data transmission LED indication.
- * Connection between transmitter and receiver with a standard Network cable.
- * DDC support.

DLT53S & DLR13S Application:



SPECIFICATION:

Function		Specification	
		DLT53S	DLR13S
Description		1 PC to 5 Output	CAT.5 Input TO HD-15F Ø3.5 Phone Jack Output
Connectors	Input	HD-15M x 1 Ø3.5 Phone Jack x 1	8P8C Jack x 1
	output	HD-15F x 1 Ø3.5 Phone Jack x 1 8P8C x 5	HD-15F x 1 Ø3.5 Phone Jack x 1
Power LED		1	1
Max. Resolution		1280 x 1024	
Video Bandwidth		150 MHZ	
Horizontal Frequency		30 - 100 KHZ	
Vertical Frequency		43 - 120 KHZ	
Transmission		a.PC to DLT53S: 7.5 meters b.DLT53S to Local monitor: 7.5 meters c.DLT53S to DLR13S: 5-300 meters d.DLR13S to Remote Monitor: 7.5 meters	
Case Design		Metal Case	
Power		DC5V/2A	DC5V/1A
Cable Spec.		A.GUL2919 【1354(s) x 3C 28AWG】 + 【UL2464 x 6C 24AWG】 (A+B) B.GCat.5 4Pair UTP/STP Cable. C.GUL2919 【1354(s)28AWG*3C+ UL2464 28AWG*15C+AEB85%】	